



PARTS REMOVING REQUEST FORM



Requested Date	7-Jan-25	Part Take Out Date	7-Jan-25
Requested By	Spare Parts	PIC To Take Out The Parts	Spare Parts
Requested Branch		Service Person	Phyo Wai Zaw
Reason of Request	To sell customer Geo Asia Co., Ltd.		

From		Component Name	Element, Pump Gearbox Coupling
Customer Name		Component Part No.	14514869 - Price - 94.90\$
Machine Model		Component Serial No.	181.60\$ Price
Machine Serial No.			
For		Component Name	
Customer Name	Geo Asia Co., Ltd.	Component Part No.	
Machine Model		Component Serial No.	
Machine Serial No.		Warranty Part Serial No.	
Warranty Part No.			

No.	Part Description	Part No.	Qty	Remark
1.	Coupling Element	14514871	1	CPO-CEQ-MTL-2025-1-0001 - 94.90\$ Price 181.60\$ Price

Plan To Return Back The Parts: We will separate Good Receipt & Sell because 14514869 has 4pcs & it was dead stock.

Part Return Date		Return Part installation Date	
Employee Name		Return Part installation PIC	

Aye Thingi Myint
DH

Status of part installation after return :

Requested By	Acknowledged By	Approved By	Acknowledged By
<input checked="" type="checkbox"/> OUT <input type="checkbox"/> IN	<input checked="" type="checkbox"/> OUT <input type="checkbox"/> IN	<input checked="" type="checkbox"/> OUT <input type="checkbox"/> IN	<input checked="" type="checkbox"/> OUT <input type="checkbox"/> IN
Name : Phyo Wai Zaw Designation : Branch Support	Name : Kyawt Kyawt Hlaing Designation : Sr. Staff	Name : Designation : Unit Sale	Name : Designation : GM/AGM

Part No.	Description	Qty	Price	Spice
14514871	Element - 1pc	1	94.90\$	181.60\$
14514872	Invert - 4pu	4	9.39\$	17.97\$ (4 = 6)
14514873	Invert - 4pu	4	10.55\$	20.19\$ (5 = 7)
14514870	Hub - 1pc	1	75.96\$	145.36\$

02-CE1-MSS-FRM-010-00

CONSTRUCTION EQUIPMENT 1 Good Receipt

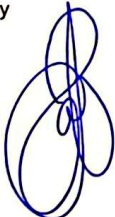
Customer Name : CE1
Address : -
Phone :

GR No : CE1-GR-25010017
GR Date : 2025-01-14 09:30:34
Related No :

No	Description	Part Number	From Location	To Location	Qty	UOM
1	Coupling Element, Main Pump	14514871(M)	Office Use	CEQ_Parts	1.00 (Do Only)	PC
2	Insert+Bolt+Spring pin(MP Coupling)	14514872(M)	Office Use	CEQ_Parts	4.00 ✓	PC
3	Insert+Bolt(MP Coupling)	14514873(M)	Office Use	CEQ_Parts	4.00 ✓	PC
4	Hub+Clamp+Spring pin(MP Coupling)	14514870(M)	Office Use	CEQ_Parts	1.00 ✓	PC

Note : We will separate Good Receipt & Sell because 14514869 have 4pc & It was Dead Stock. Item(1) is Do Only for Customer Geo Asia CPO-CEQ-MTL-2025-1-0001(CE1-GT-25010026)

Prepared By



Related By

Zaw Myo.

Approved By



Aye Theingi Myint

Validated By



HO WHS/BU WHS

Phyu Aye

UMG LOGISTICS

No. 589,592 , Boeungkyaw street,
Yangon-Patheingyi hight way road, Hialng Thar Yar
Tsp.

Myanmar

Responsible : Paing Moe Oo

Numbers : CE1-GIA-25010024

Documents : 2025-01-13 01:54:27

No	Product Code	Product Name	Qty	Source Location	To Location
1	14514869 ✓	Element, Pump Gearbox Coupling	1.0000 PC ✓	WH04/Stock/1-2/1.6	Office Use

Notes :

We will separate Good Receipt & Sell because 14514869 have 4pc & It was Dead Stock. Hand Carry By Zaw Myo

Prepared by

Zaw Myo

BU PIC (Name)

Validated by


T2A
WHS PIC (Name)

13.1.25

Delivery by


T2A
WHS PIC

14.1.25

Received by


Received
Zaw Myo.
14.1.2025.

Service Diagnostics

Part catalog

Reman parts

Standard parts

General Foreword

Basic Facts

Order window

New order 1
Add to order

Machine card

Hose recipes

Show in Parts

Assembly instructions

OEM recipes

Search

Pan

Rectangle zoom

Zoom in

Zoom out

Prepare By Inventory

Image viewer

Hose Recipes

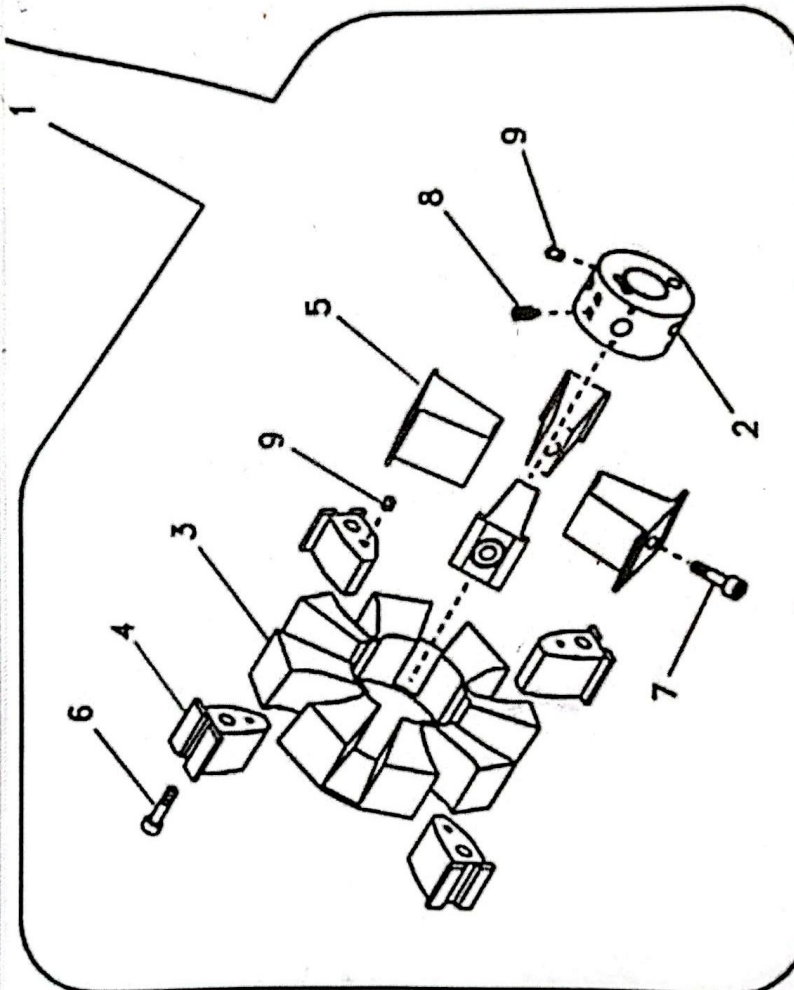
Machine card

Parts

Excavators
EC290B LC Volvo

Volvo 1356

WITH MOUNTING
ITEM; WARNING S
TRANSMISSION
BOX,
10 Travel gearbo
10 Travel gearbo
10 Swing gearbo
10 Pump gearbo
10 Pump gearbo
ROSTATIC DRIVE
ELLANEIOUS
PRINGS; DAMPIN
RY HOUSE CAB;
IC SYSTEM; DIGG



Descriptions Q1 Q2 Q3 Q4 Q5 PS Kit STD Option(s) Remark

Insert

User: MA75674 English

Environment: uptime@gpr.

