



ဒါရဲ့ manual book ဓာတ်ပုံလေးပို့ပေးလို့ရမလားရှင့်။



# SENCAN

## INSTRUCTION



**723007**  
DEMOLITION HAMMER

Please read the operating instructions carefully before use

**Power Tool Safety Rules**

**WARNING**

Read and understand all instructions. Failure to follow all instructions listed below, may result in electric shock, fire and/or serious personal injury.  
**SAVE THESE INSTRUCTIONS**

**Work Area**

Keep your work area clean and well lit. Cluttered benches and dark areas invite accidents. Do not operate power tools in explosive atmospheres, such as in the presence of flammable liquids, gases, or dust. Power tools create sparks which may ignite the dust or fumes.  
Keep by-standers, children, and visitors away while operating a power tool. Distractions can cause you to lose control.

**Electrical Safety**

Before plugging in the tool, be certain the outlet voltage supplied is within the voltage marked on the nameplate. Do not use "AC only" rated tools with a DC power supply. Avoid body contact with grounded surfaces such as pipes, radiators, ranges and refrigerators. There is an increased risk of electric shock if your body is grounded. If operating the power tool in damp locations is unavoidable, a Ground Fault Circuit Interrupter must be used to supply the power to your tool. Electrician's rubber gloves and footwear will further enhance your personal safety.  
Don't expose power tools to rain or wet conditions. Water entering a power tool will increase the risk of electric shock.  
Do not abuse the cord. Never use the cord to carry the tools or pull the plug from an outlet. Keep cord away from heat, oil, sharp edges or moving parts. Replace damaged cords immediately. Damaged cords increase the risk of electric shock.  
When operating a power tool outside, use an outdoor extension cord. These cords are rated for outdoor use and reduce the risk of electric shock.

**Personal Safety**

Stay alert, watch what you are doing and use common sense when operating a power tool. Do not use tool while tired or under the influence of drugs, alcohol, or medication. A moment of inattention while operating power tools may result in serious personal injury.  
Dress properly. Do not wear loose clothing or jewelry. Contain long hair. Keep your hair, clothing, and gloves away from moving parts. Loose clothes, jewelry, or long hair can be caught in moving parts. Keep handles dry, clean and free from oil and grease.  
Avoid accidental starting. Be sure switch is "OFF" before plugging in. Carrying tools with your finger on the switch or plugging in tools that have the switch "ON" invites accidents. Remove adjusting keys or wrenches before turning the tool "ON". A wrench or a key that is left attached to a rotating part of the tool may result in personal injury.  
Do not overreach. Keep proper footing and balance at all times. Proper footing and balance enables better control of the tool in unexpected situations.  
Use safety equipment. Always wear eye protection. Dust mask, non-skid safety shoes, hard hat, or hearing protection must be used for appropriate conditions.

**Tool Use and Care**

Use clamps or other practical way to secure and support the workpiece to a stable platform. Holding the work by hand or against your body is unstable and may lead to loss of control.  
Do not force tool. Use the correct tool for your application. The correct tool will do the job better and safer at the rate for which it is designed.  
Do not use tool if switch does not turn it "ON" or "OFF" Any tool that cannot be controlled with the switch is dangerous and must be repaired.

Disconnect the plug from the power source before making any adjustments, changing accessories, or storing the tool. Such preventive safety measures reduce the risk of starting the tool accidentally.  
Store idle tools out of reach of children and other untrained persons. Tools are dangerous in the hands of untrained users.  
Maintain tools with care. Keep cutting tools sharp and clean. Properly maintained tools, with sharp cutting edges are less likely to bind and are easier to control. Any alteration or modification is a misuse and may result in a dangerous condition.  
Check for misalignment or binding of moving parts, breakage of parts, and any other condition that may affect the operation. If damaged, have the tool serviced before using. Many accidents are caused by poorly maintained tools. Develop a periodic maintenance schedule for your tool.  
Use only accessories that are recommended by the manufacturer for your model. Accessories that may be suitable for one tool, may become hazardous when used on another tool.

**Service**

Tool service must be performed only by qualified repair personnel. Service or maintenance performed by unqualified personnel could result in a risk of injury. For example: internal wires may be misplaced or pinched, safety guard return springs may be improperly mounted.  
When servicing a tool, use only identical replacement parts. Follow instructions in the Maintenance section of this manual. Use of unauthorized parts or failure to follow Maintenance Instructions may create a risk of electric shock or injury. Certain cleaning agents such as gasoline, carbon tetrachloride, ammonia, etc. may damage plastic parts.

**Safety Rules for Demolition Hammer**

DO NOT let comfort or familiarity with product (gained from repeated use) replace strict adherence to hammer safety rules.  
If you use this tool unsafely or incorrectly, you can suffer serious personal injury.

1. Hold tools by insulated gripping surfaces when performing an operation where the cutting tool may contact hidden wiring or its own cord. Contact with a "live" wire will make exposed metal parts of the tool "live" and shock the operator.
2. Wear ear protectors when using the tool for extended periods. Prolonged exposure to high intensity noise can cause hearing loss.
3. Wear a hard hat (safety helmet), safety glasses and/or face shield, ordinary eye or sun glasses are NOT safety glasses. It is also highly recommended that you wear a dust mask and thickly padded gloves.
4. Be sure the bit is secured in place before operation.
5. Under normal operation, the tool is designed to produce vibration. The screws can come loose easily, causing a breakdown or accident. Check tightness of screws carefully before operation.
6. In cold weather or when the tool has not been used for a long time, let the tool warm up for a while by operating it under no load. This will loosen up the lubrication. Without proper warm-up, hammering operation is difficult.
7. Always be sure you have a firm footing. Be sure no one is below when using the tool in high locations.
8. Hold the tool firmly with both hands.
9. Keep hands away from moving parts.
10. Do not leave the tool running. Operate the tool only when hand-held.
11. Do not point the tool at any one in the area when operating. The bit could fly out and injure someone seriously.
12. Do not touch the bit or parts close to the bit immediately after operation; they may be extremely hot and could burn your skin.

13. Some material contains chemicals which may be toxic. Take caution to prevent dust inhalation and skin contact. Follow material supplier safety data.

**SAVE THESE INSTRUCTIONS**

**WARNING:**  
MISUSE or failure to follow the safety rules stated in this instruction manual may cause serious personal injury.

**Functional Description**

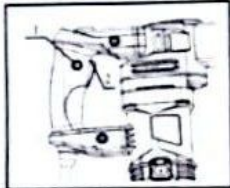
**CAUTION:**

• Always be sure that the tool is switched off and unplugged before adjusting or checking function on the tool.

**Switch action**

**CAUTION:**

• Before plugging in the tool, always check to see that the switch trigger actuates properly and returns to the "OFF" position when released.  
• Switch can be locked in "ON" position for ease of operator comfort during extended use. Apply caution when locking tool in "ON" position and maintain firm grasp on tool.



1, Lock Button  
2, Switch Trigger

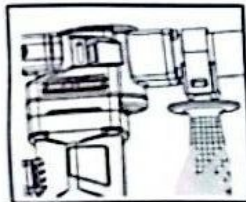
To start the tool, simply pull the switch trigger. Release the switch trigger to stop.  
For continuous operation, pull the switch trigger and then push in the lock button.  
To stop the tool from the locked position, push the switch trigger fully, then release it.

**Assembly**

**CAUTION:**

• Always be sure that the tool is switched off and unplugged before carrying out any work on the tool.

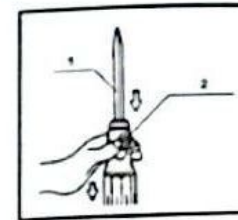
**Installing side grip (auxiliary handle)**



The side grip swings around to either side, allowing easy handling of the tool in any position. Loosen the side grip by turning it counterclockwise, swing it to the desired position and then tighten it by turning clockwise.

**Installing or removing the bit**

Clean the bit shank before installing the bit.  
Press in the tool retainer and turn it until the red dots on the tool retainer and the tool holder



1, Bit  
2, Retainer

are aligned. Release the tool retainer.  
Insert the bit into the tool holder as far as it will go. Press in the tool retainer and turn it a full 180 degrees. Then release it to secure the bit.  
To remove the bit, follow the installation procedure in reverse.

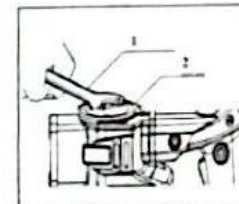
**OPERATION Chipping/Scaling/Demolition**

Hold the tool firmly with both hands. Turn the tool on and apply slight pressure on the tool so that the tool will not bounce around, uncontrolled. Pressing very hard on the tool will not increase the efficiency.

**Maintenance**

**CAUTION:**

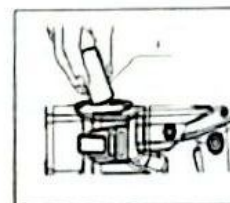
• Always be sure that the tool is switched off and unplugged before attempting to perform inspection or maintenance.  
This tool requires no hourly or daily lubrication because it has a grease-packed lubrication system. It should be relubricated after every 6 months of operation. Send the complete tool to Makita Authorized or Factory Service Center for this lubrication service. However, if circumstances require that you should lubricate it by yourself, proceed as follows.



1, Wrench  
2, Crank Cap

Run the tool for several minutes to warm it up. Switch off and unplug the tool.

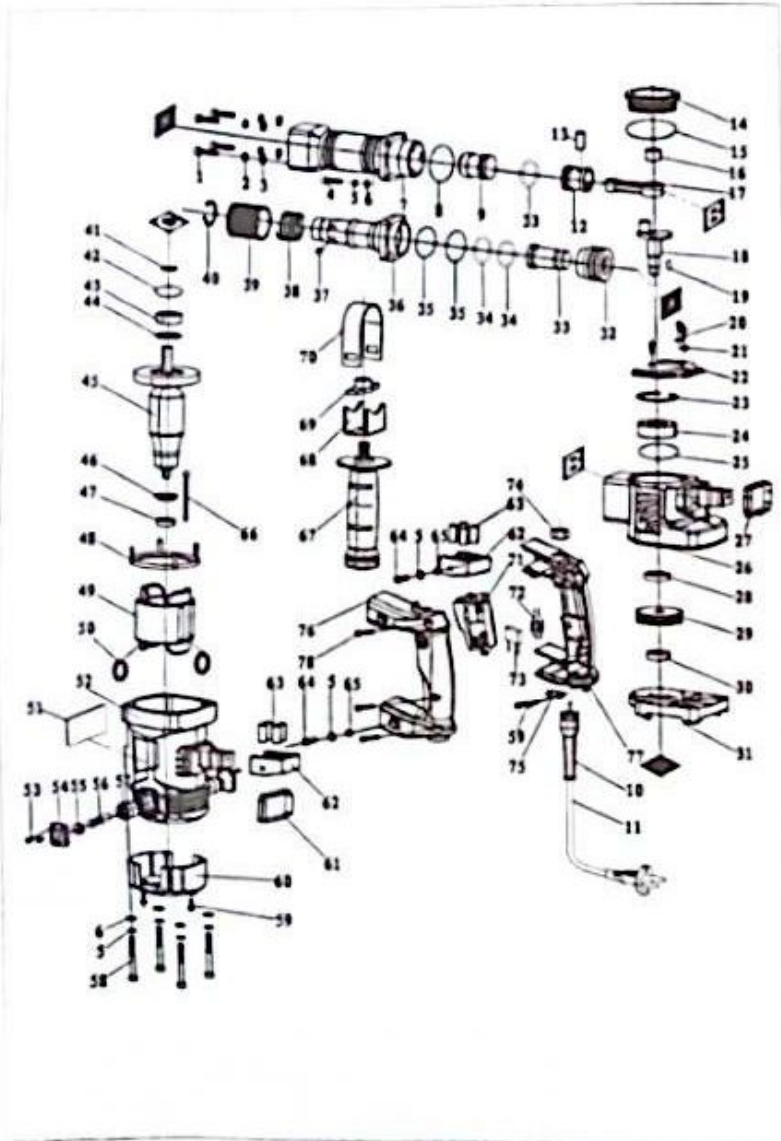
Remove the crank cap using a lock nut wrench 35 (optional accessory). Rest the tool on the table with the bit end pointing upwards. This will allow the old grease to collect inside the crank housing.  
Wipe out the old grease inside and replace with a fresh grease (30 g; 1 oz). Use only genuine hammer grease (optional accessory). Filling with more than the specified amount of grease (approx. 30 g; 1 oz) can cause faulty hammering action or tool failure. Fill only with the specified amount of grease.  
Reinstall the crank cap and tighten with the lock nut wrench.



1, Grease

**CAUTION:**

• Do not tighten the crank cap excessively. It is made of resin and is subject to reavage.  
To maintain product SAFETY and RELIABILITY, repairs, any other maintenance or adjustment should be performed by Makita Authorized or Factory Service Centers, always using original replacement parts.



**DEMOLITION HAMMER  
723007**

Pos	Description	Parts Code	Qty	Pos	Description	Parts Code	Qty
1	Hex Bolt M8x25	30210034	4	40	Circlip for Shaft 28	30301012	1
2	Spring Washer 8	30401004	4	41	Spacer 12x18x2.7	10305020003	1
3	Flat Washer 8	30404004	4	42	O ring 31.5x2	10102006008	1
4	Hex Bolt M6x16	30211007	4	43	Bearing 6201	30105047	1
5	Spring Washer 6	30401008	8	44	Dust proof Washer	10102016004	1
6	Flat Washer 6	30404003	8	45	Armature	10502002095	1
7	Cylinder	10305021011	1	46	Insulation Washer	10101031003	1
8	O ring 44x2	10102006001	1	47	Bearing 608	30105010	1
9	Striker	10305021013	1	48	Air Deflector	3020030033	1
10	Cord Sleeve	10102001001	1	49	Stator	10501002075	1
11	Cord	10602007002	1	50	Spring Rig	10608001004	1
12	Piston	10305009001	1	51	Name plate	20301001050	1
13	Piston Pin	30701019	1	52	Housing	10101501035	1
14	Crank Cap	10101045021	1	53	Screw ST2.9X10	30203070	2
15	O ring 60x2	10102006018	1	54	Cover for Brush Cap	10606005001	2
16	Bearing NK12/12	30102011	1	55	Brush cap	10606002023	2
17	Connect Rod	10305025001	1	56	Carbon Brush	10605010002	2
18	Crank Shaft	10301003006	1	57	Brush Holder	10606001023	2
19	Woodruff Key 4x5x13	30601003006	2	58	Hex Bolt M6x50	30210025	4
20	Screw M4x10	30214010	3	59	Screw ST4x14	30203054	4
21	Light Spring Washer 4	30401002	3	60	Rare Cover	10101004034	1
22	Decorative Piece	1130010001	1	61	Down Rubber Ring	10102015014	1
23	Circlip for hole 47	30302013	1	62	Absorber Block	10102009006	2
24	Bearing 6303 2RS	30105035	1	63	Absorber Column	10102009005	8
25	O ring 46.2x2	10102006015	1	64	Hex Bolt M4x16		4
26	Gear Box	10207005011	1	65	Spacer 23006		4
27	Upper Rubber Ring	10102015011	1	66	Screw ST5x6.5	30203021	2
28	O Ring 81.7x30x6	10102014011	1	67	Side Handle	21201001029	1
29	Helical Gear	10302006048	1	68	Grip Base	10401023005	1
30	Bearing 6001	30105034	1	69	Clamp Nut M12	30504015	1
31	Middle Cover	10204005065	1	70	Grip Clamp	10230004002	1
32	Spacer	10305020017	1	71	Switch	10601002057	1
33	Impact Bolt	10305040009	1	72	Inductance	10604004001	1
34	O ring 23.7x3.5	10102006045	3	73	Capacitor	10603001002	1
35	O ring 38x2.1	10102006030	2	74	Hex Nut M12	30501011	1
36	Tool Holder	10305010002	1	75	Cord Anchor	10607003005	1
37	Steel Ball 8	30603006	6	76	Handle (left half)	10101007066	1
38	Spring 2x32.5x33	10303008018	1	77	Handle (right half)	10101008071	1
39	Tool Retainer	10305005008	1	78	Screw ST4x18	30203004	3