



SENCAN

Sencan
SENCAN Blower 772803
159,500
810221000033
09.08.2024



POWER TOOLS
SENCAN
PROFESSIONAL QUALITY
INSTRUCTION

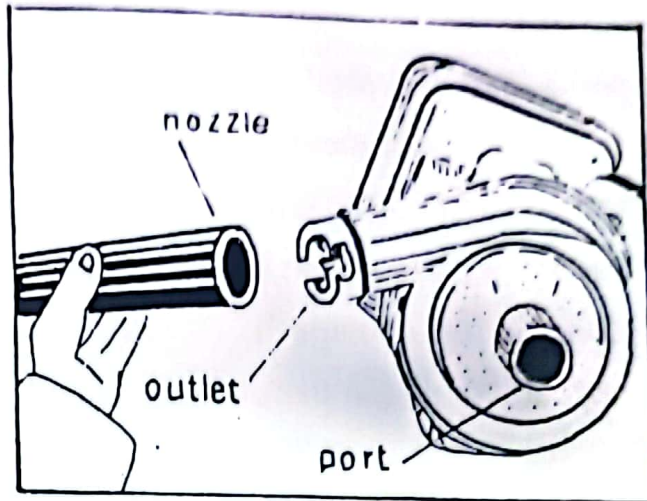
Electric Blower

Please read the operating instructions carefully before use

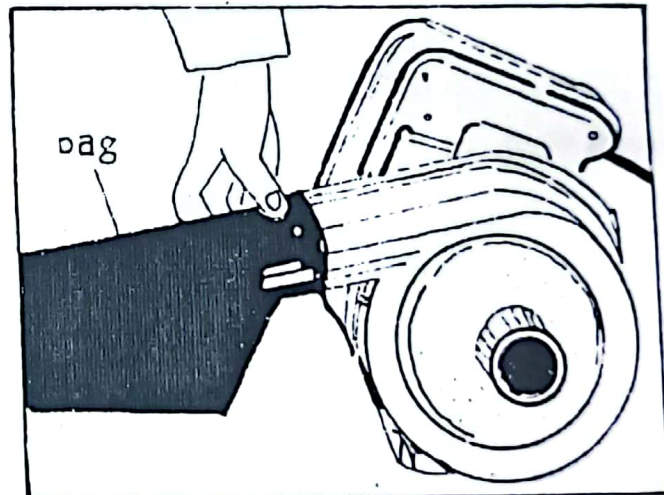
The unit used for cleaning or coldshouldering machines and instruments of various industries.

HOW TO USE

When use for blowing, with nozzle attached to outlet of wind by C. W. turn the nozzle.

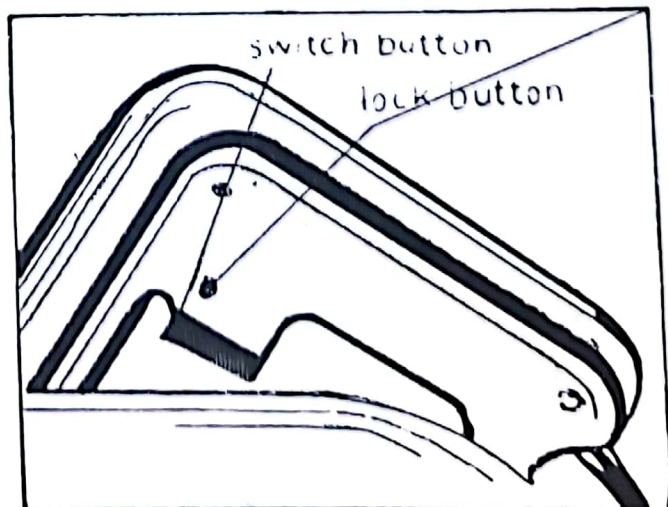


When use for suction, with nozzle attached to suction port and dust bag attached to outlet of wind.



When dust bag is full, remove the bag and open outlet of bag then pull the dust to a dustbin.

Pressing the switch button, the unit is started. Loosing the switch button, the unit is stoped. When lock button is pressed after unit is started, the unit can continually work and the unit can be stoped if press the switch button again.



FOR SAFE OPERATION

- When the unit is not to be used, place it in room. Never expose it to rain.
- As the unit is operated the operator must wear a providing cap, eye-glass and cover of mouth
- Before connecting the unit to a wall outlet, check the marked voltage on the name plate of the unit is same with local power source. if not, the unit may be damaged.
- Do not use the unit in the places where there is any inflammable liquid or gas.
- Do not suck up burned tobacco end and just cutted shred of metal.
- Do not direct the nozzle to nearby anybody.
- To prevent the fan is damaged due to increased speed of the motor, do not obstruct the suction port and outlet of wind.
- Don not pull on the power cord to disconnect the unit from the mains outlet or to move it.
- Keep the power cord away from high temperature substance, such as shred of metal and grease.

FEATURES

No operator fatigue from long use because it's small in size and light in weight.

powerful motor produces great wind pressure and volume to double work efficiency.

Double insulated for added safety and convenience.

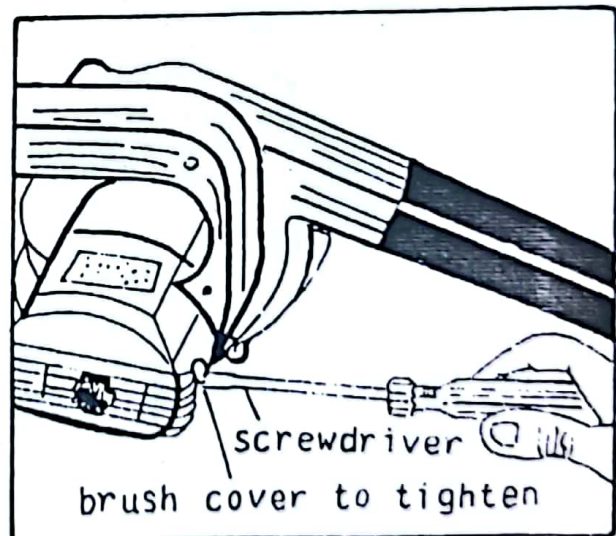
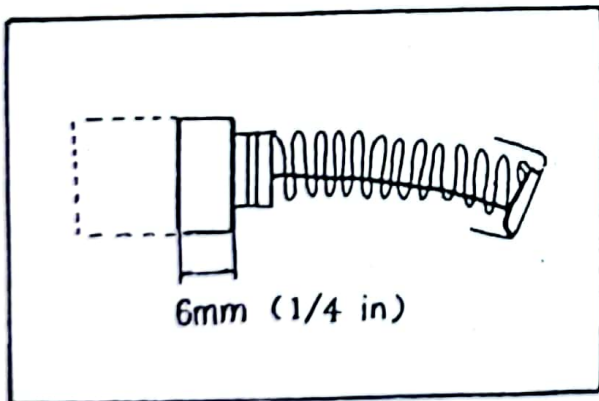
SPECIFICATIONS

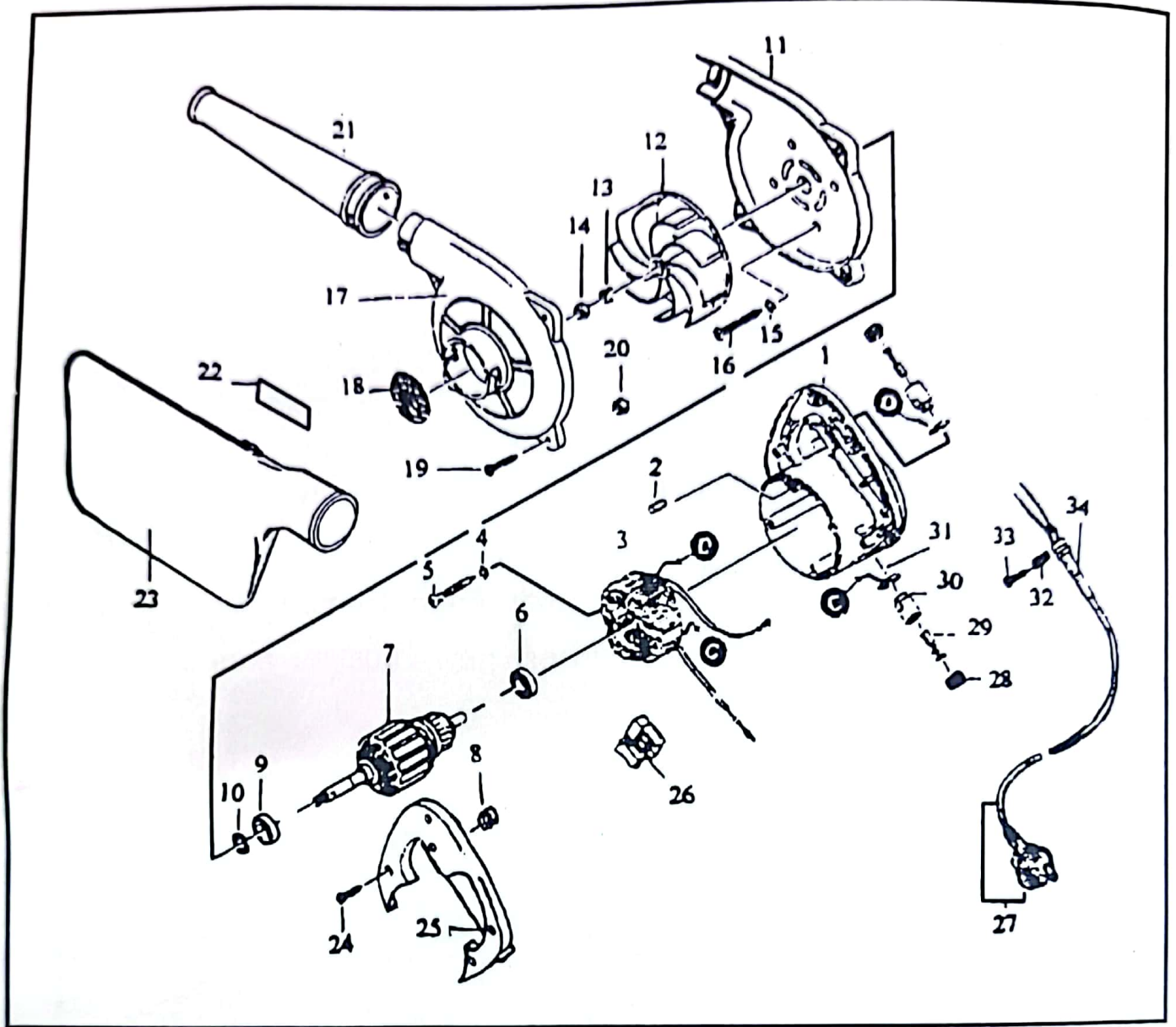
Voltage (V)	Frequency (Hz)	Input power (W)	Wind volume (m ³ /min)	Rated speed (r/min)
220	60	600	2.8	16000

MAINTENANCE

Before maintenance must disconnect the unit from power source.

Check the carbon brushes at regular intervals. It's must be replaced with new brushes when it's shorter than 6mm, Remove brush covers and brushes by screwdriver, then insert new brushes and turn brush covers to tighten.





Numer	Name part	Numer	Name part	Numer	Name part
1	Housing	13	Spring Washer 8	25	Handle Couer
2	Rubber Pin	14	Screw Nut	26	Switch
3	Stator	15	Spring Washer 4	27	Plug
4	Spring Washer	16	Screw M4 x 45	28	Brush Cap
5	Screw M4 x 38	17	Exhaust Couen	29	Canbon Brush
6	Bearing 609	18	Filtering net	30	Brush Hold
7	Armature	19	Screw M4 x 20	31	Brush Hold Spring
8	Screw Nut	20	Screw Nut	32	Press Board
9	Bearing 609	21	Exhaust Pipe	33	Screw M4 x 16
10	Washer 10	22	Mark	34	Armature for Cable
11	Exhaust Couer	23	Collecting Sack		
12	Fan	24	Screw M4 x 25		