



Aspirator Blower 800W
196,500

Aspirator Blower 800W
199,500

FINISH BATTERY
10000mAh
199,000

Aspirator Blower 800W
199,500

INGCO

Aspirator Blower

EN Aspirator Blower



AB8008 UAB8008 AB8008-6
AB8008S AB8008-8 AB8008P



SCAN FOR VIDEO

 INGCO Global

 INGCO Global



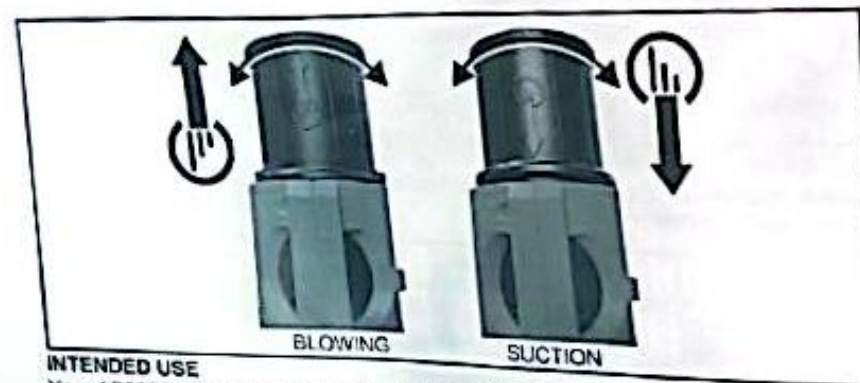
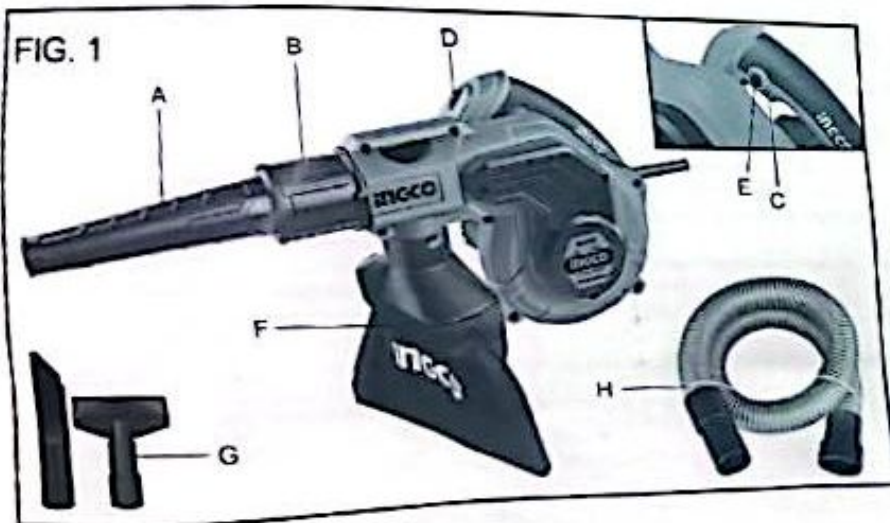
TECHNICAL DATA

Model:	AB8008	AB8008-6 (ISRAEL Plug)	AB8008-8 (ES Plug)	AB8008S (SAA Plug)	AB8008P	UAB8008
Rated voltage		220-240V~				110-120V~
Frequency		50/60Hz				50/60Hz
Input power		800W				800W
No load speed		0-15000/min				0-15000/min
Blowing rate		0-4.5m ³ /min				0-4.5m ³ /min
Insulation class		□				□

DESCRIPTION (FIG. 1)

⚠ WARNING: Never modify the power tool or any part of it. Damage or personal injury could result.

- A. Nozzle B. Blast port C. Trigger switch D. Variable speed knob
E. Lock-on button F. Dust bag G. Suction nozzles H. Flexible tube



INTENDED USE

Your AB8008 blower/vacuum has been designed for blowing and cleaning applications, as well as light suction purpose.

DO NOT use under wet conditions or in presence of flammable liquids or gases. This blower/vacuum is a professional power tool. **DO NOT** let children come into contact with the tool. Supervision is required when inexperienced operators use this tool.

ASSEMBLY AND ADJUSTMENTS

⚠ WARNING: To reduce the risk of injury, turn unit off and disconnect tool from power source before installing and removing accessories, before making any adjustments or removing/installing attachments or accessories. An accidental start-up can cause injury.

⚠ WARNING: Prior to assembly and adjustment, always unplug tool.

OPERATION

⚠ WARNING: Always observe the safety instructions and applicable regulations.

⚠ WARNING: To reduce the risk of injury, turn unit off and disconnect tool from power source before installing and removing accessories, before making any adjustments or removing/installing attachments or accessories. An accidental start-up can cause injury.

Operating the Blower (fig. 1, 2)

- To switch your blower on, depress the switch (C). To stop your blower, release switch.
- Adjust variable speed knob (D) for different speed requirement.
- When continuous operation is required, first depress the switch and then the lock-on button (E) and release to disengage lock, squeeze and release switch.

⚠ WARNING: Continuous running of machine should not exceed 30 minutes.

MAINTENANCE

⚠ WARNING: To reduce the risk of injury, turn unit off and disconnect tool from power source before installing and removing accessories, before making any adjustments or removing/installing attachments or accessories. An accidental start-up can cause injury.

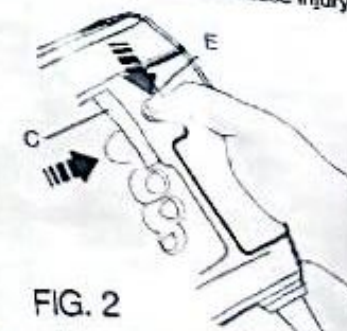


FIG. 2

Your INGCO power tool has been designed to operate over a long period of time with a minimum of maintenance. Continuous satisfactory operation depends upon proper tool care and regular cleaning.

Replacing Carbon Brushes (fig. 3)

Use a screwdriver to remove the brush holder cap.

Take out the worn carbon brush, insert the new one and secure the brush hold cap.

WARNING: Remove and check the carbon brushes regularly. Replace when they wear down to the limit mark.

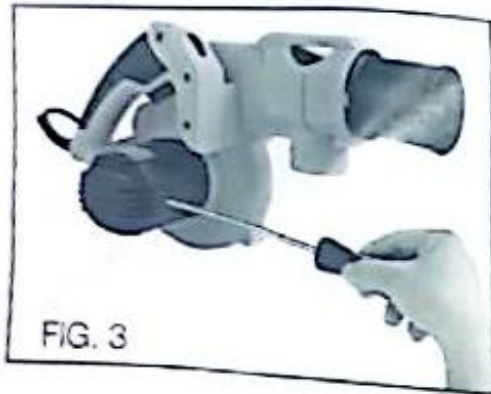


FIG. 3

Lubrication

Your power tool requires no additional lubrication.

Cleaning

Regularly clean the ventilation slots in your tool using a soft brush or dry cloth.

Regularly clean the motor housing using a damp cloth. Do not use any abrasive or solvent-based cleaner.

WARNING: Blow dirt and dust out of the main housing with dry air as often as dirt is seen collecting in and around the air vents. Wear approved eye protection and approved dust mask when performing this procedure.

WARNING: Never use solvents or other harsh chemicals for cleaning the non-metallic parts of the tool. These chemicals may weaken the materials used in these parts. Use a cloth dampened only with water and mild soap. Never let any liquid get inside the tool, never immerse any part of the tool into a liquid.

Repairs

To assure product SAFETY and RELIABILITY, repairs, maintenance and adjustment (including brush inspection and replacement) should be performed by authorized service centers or other qualified service personnel, always using identical replacement parts.

Accessories

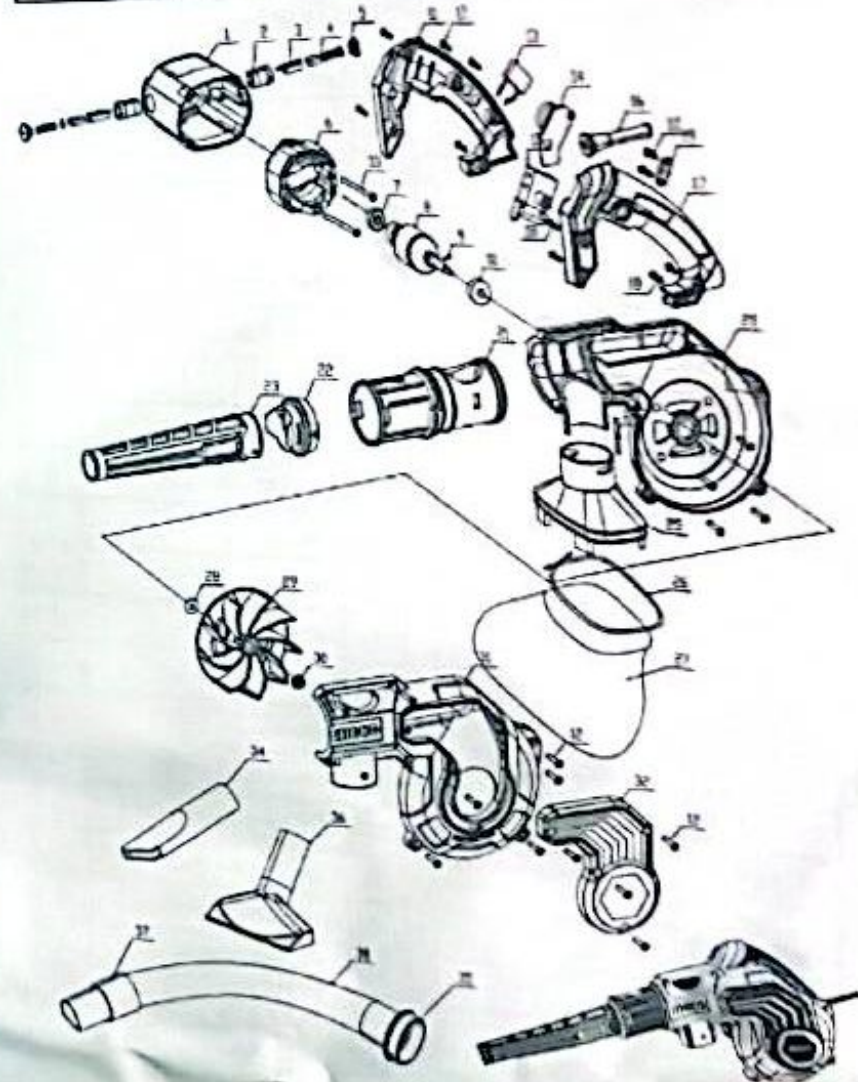
WARNING: Since accessories, other than those offered by INGCO, have not been tested with this product, use of such accessories with this tool could be hazardous. To reduce the risk of injury, only INGCO, recommended accessories should be used with this product.

Recommended accessories for use with your tool are available at extra cost from your local dealer or authorized service center.







INGCO

EXPLODED VIEW

AB8008,UAB8008,AB8008-6,AB8008-8,AB8008S,AB8008P



The symbols in instruction manual and the label on the tool

	Double insulated for additional protection.
	Read the instruction manual before using.
	CE conformity.
	Wear safety glasses, hearing protection and dust mask.
	Waste electrical products should not be disposed of with household waste. Please recycle where facilities exist. Check with your Local Authority or retailer for recycling advice.
	Safety alert. Please only use the accessories supported by the manufacture.

SAFETY INSTRUCTION

Warning! Read all instructions. Failure to follow all instructions listed below may result in electric shock, fire and/or serious injury. The term "power tool" in all of the warnings listed below refers to your mains operated (corded) power tool or battery operated (cordless) power tool. **SAVE THESE INSTRUCTIONS.**

1) Training

- Read the instructions carefully. Be familiar with the controls and the proper use of the machine.
- Never allow children to use the machine.
- Never allow people unfamiliar with these instructions to use the machine. Local regulations may restrict the age of the operator.
- Never operate the machine while people, especially children, or pets are nearby.
- The operator or user is responsible for accidents or hazards occurring to other people or their property.

2) Preparation

- While operating the machine, always wear substantial footwear and long trousers.
- Do not wear loose clothing or jewellery that can be drawn into the air inlet. Keep long hair away from the air inlets.
- Wear protective goggles while operating.
- To prevent dust irritation the wearing of a face mask is recommended.
- Before using, check the supply and extension cord for signs of damage and aging. Do not use the machine if the cord is damaged or worn.
- Never operate the machine with defective guards or shields, or without safety devices, for example debris collector in place.
- Only use a weather proof extension cable fitted with a coupler according to IEC 60320-2-3.

3) Operation

- Always direct the cable to the rear away from the machine.
- If a cord becomes damaged during use, disconnect the supply cord from the mains immediately. **DO NOT TOUCH THE CORD BEFORE DISCONNECTING THE SUPPLY.**
- Do not carry the machine by the cable.
- Disconnect the machine from the mains supply.
 - Whenever you leave the machine.
 - Before clearing a blockage.
 - Before checking, cleaning or working on the machine.
 - If the machine starts to vibrate abnormally.
- Operate the machine only in daylight or in good artificial light.
- Do not overreach and keep your balance at all times.
- Always be sure of your footing on slopes.
- Walk, never run.
- Keep all cooling air inlets clear of debris.
- Never blow debris in the direction of bystanders.
- Recommendation to operate the machine only at reasonable hours-not early in the morning or late at night when at night when people might be disturbed.
- Recommendation to use rakes and brooms to loose debris before blowing/vacuuming.
- Recommendation to slightly dampen surfaces in dusty conditions or use mister attachment.
- Recommendation to use the full blower nozzle extension so the air stream can work close to the ground.

4) Maintenance and storage

- Keep all nuts, bolts and screws tight to be sure the machine is in safe working condition.
- Check the debris collector frequently for wear or deterioration.
- Replace worn or damaged parts.
- Use only genuine replacement parts and accessories.
- Store the machine only in a dry place.

Recommendations:

- to connect the machine only to a supply circuit protected by a residual current device (RCD) with a tripping current of not more than 30 mA for mains powered machines.
- to avoid using the machine in bad weather conditions especially when there is a risk of lightning.

Supply cords shall not be lighter than:

- if rubber insulated, ordinary tough rubber sheathed flexible cord (code designation H05 RN-F)
- if polyvinyl chloride insulated, ordinary polyvinyl chloride sheathed flexible cord (code designation H05 VV-F)

Other information for correct and safe use

While using electrical appliances, in order to reduce the risk of fire, electric shock, and/or injury to persons, basic safety precautions should be followed, including the following:

- Read all instructions carefully, even if you are familiar with the appliance.
- For type Y attachment, if the supply cord is damaged, it must be replaced by the manufacturer, its service agent or similarly qualified persons in order to avoid a hazard.
- To protect against the risk of electric shock, DO NOT IMMERSER the appliance cord set or plug in water or other liquids.
- To clean, wipe the exterior with a damp cloth.
- Close supervision is necessary when any appliance is used near children. Never leave an appliance unattended when in use.
- Switch off and remove the plug from the power outlet when not in use before assembling or disassembling parts, cleaning or carrying out any maintenance of the appliance. Never pull the cord while unplugging out from power outlet.
- Do not operate the appliance if its damaged in any manner. Return the complete appliance to your nearest authorized service facility for examination, electrical repair, mechanical repair or adjustments to avoid any hazard.
- The use of attachments or accessories not recommended or sold by this appliance manufacturer may result in fire, electric shock or personal injury.
- Do not let the cord hang over the edge of a table, counter, or touch hot surfaces.
- Avoid touching hot surfaces, use handles and knobs.
- Do not operate or place any part of this appliance on or near any hot surfaces (such as gas or electric burner or in a heated oven).
- Do not abuse the cord. Never carry the appliance by the cord or yank it to disconnect it from the outlet; instead, grasp the plug and pull to disconnect.
- When using an extension cord with your appliance, make sure the extension cord is correctly wired, and rated for its use.
- This product is intended for household use only.
- Do not attempt to repair the appliance yourself; instead, take it to your Manufacturer-owned or Authorized Service Centre for repair.
 - Warning! Fan continue to rotate after the motor is switch off
 - Work of maintenance and cleaning on the appliance only with the motor stopped and the mains plug disconnected

- Do not block the blower opening or intake. Blocking the blower opening will cause an increase in the motor rotation speed abnormally and might damage the vanes on the inner section of the unit or cause injuries. The motor might also overheat and cause a fire.
- Do not collect still smoldering cigarette ashes, freshly cut metals shaving, screws, nails and the like.

Intended use

Your Blower has been designed for garden and indoor use for blowing & cleaning applications, as well as light suction purpose.

Warning Symbols

Read the operation manual and follow all warnings and safety instructions.



Do not use your saw in wet conditions or expose it to rain.



Always wear eye protection.



Beware of falling objects.



Keep bystanders away.



Meaning of crossed-out wheeled dustbin: Do not dispose of electrical appliances as unsorted municipal waste. Use separate collection facilities.



Switch off and remove plug from mains before cleaning or maintenance.



Disconnect the mains plug if the cord becomes damaged or entangled.



Always wear ear protection.



Do not touch the fan. The fan will continue to rotate for a short time after switch off.



Conformance complies with Europe relevant standards.

Electrical safety

The tool is double insulated, therefore no earth wire is required. Always check that the power supply corresponds to the voltage on the rating plate.

INGCO**SPARE PART LIST**

AB8008,UAB8008,AB8008-6,AB8008-8,AB8008S,AB8008P

NO.	Part Description	Qty	NO.	Part Description	Qty
1	housing	1	20	Right Hood	1
2	Brush tube	2	21	Air duct Transformation	1
3	Brush holder	2	22	Air duct Connector	1
4	Brush	2	23	Air duct	1
5	Brush cover	2	24	Leaf spring	1
6	Stator	1	25	Dust bag connector	1
7	Bearing	1	26	Tie	1
8	Armature	1	27	Dust bag	1
9	Roller	1	28	washer	1
10	Bearing	1	29	Fan	1
11	Right handle	1	30	Net	1
12	Screw	18	31	Left Hood	1
13	Capacitor	1	32	Hood cover	1
14	Adjust speed switch	1	33	Screw	2
15	Switch	1	34	Type I dust outlet	1
16	Cord armor	1	35	Hose connector	1
17	Left handle	1	36	Type T dust outlet	1
18	Screw	4	37	dust outlet connector	1
19	Cord clamp	1	38	Corrugated pipe	1